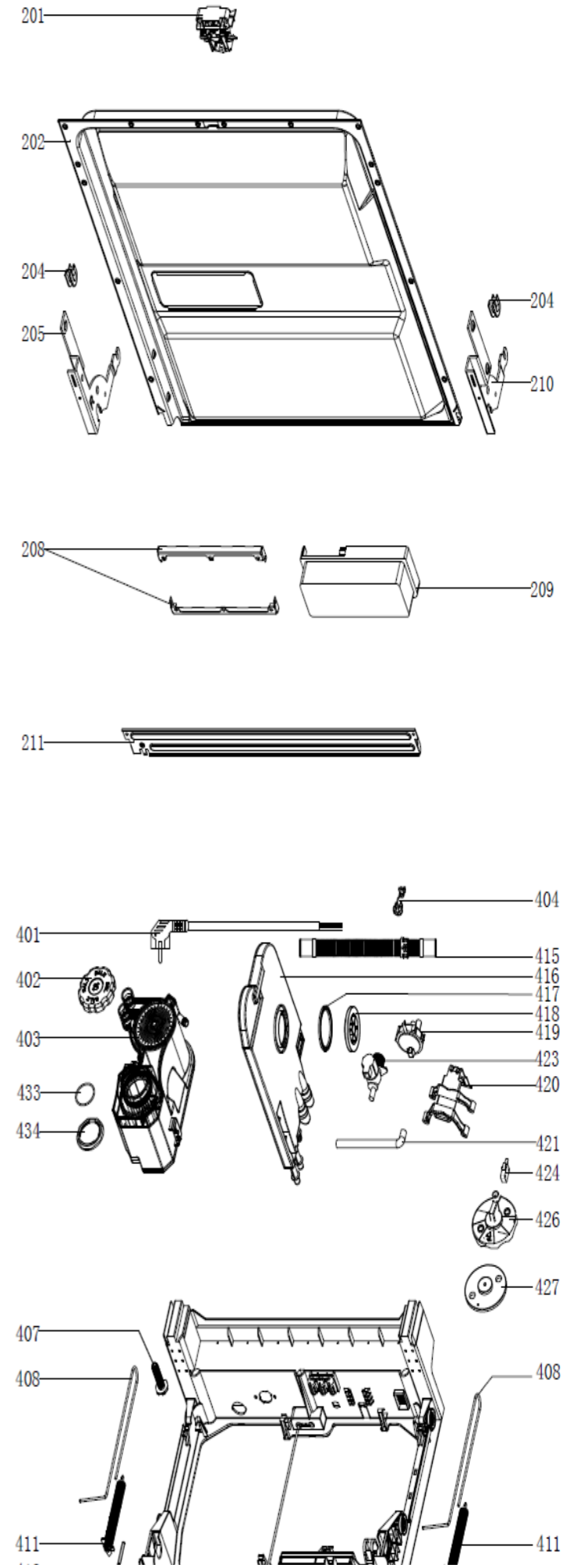
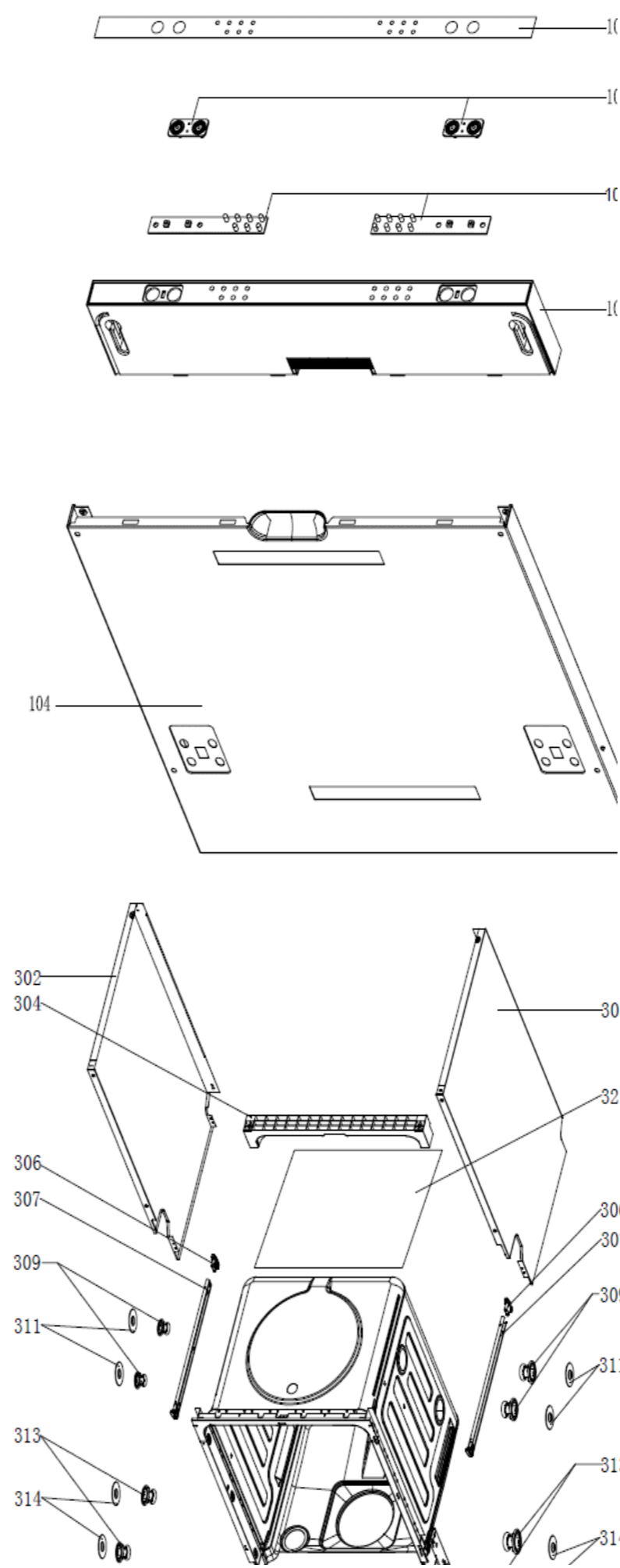


BID1061 Parts List

NO.	Part No.	Description	Qty.
101	12176000A32544	Control Panel Cover Sticker	1
102	12176000000720	Button	2
103	12176000007345	Control Panel	1
104	12276000006429	Out Door	1
105	17176000012710	Dashboard	1
201	17476000000052	Door Swiath Assembly	1
202	12276000005166	Inner Door Assembly	1
204	12176000003629	Friction Strip Hooking Clamping	2
205	12276000001731	Left Hinge Assembly	1
208	12276000001459	Dispenser Bracket	2
209	17476000001420	Dispenser	1
210	12276000001778	Right Hinge Assembly	1
211	12276000001810	Hinge Join Board	1
302	12276000000979	Left Side Panel Assembly	1
303	12276000001132	Right Side Panel	1
304	12176000003871	Upper Back Support	1
306	12176000008517	Cutlery Shelf Guider Link Stopper(Back)	2
307	12276000001341	Sword Fork Frame Upper Basket Guider(Left)	1
307-a	12276000001344	Sword Fork Frame Upper Basket Guider(Right)	1
309	12176000010336	Cutlery Shelf Rail Support Assembly	4
311	12176000008444	Basket Guider Supporting Holder	4
313	12176000010412	Rail Support Assembly	4
314	12176000008573	Basket Guider Supporting Holder	4
315	12276000001836	Anti-Noise Borad	1
316	12176000008496	Upper Basket Guider Link Stopper(Back)	2
317	12276000001357	Upper Basket Guider(Left)	1
317-a	12276000001360	Upper Basket Guider(Right)	1
318	12676000000913	Tank Gasket	1
320	12176000009491	Door Lock Hook	1
321	12176000010253	Back Cover Board	1
401	17476000000312	Power Cord	1
402	12176000010640	Softener Cover	1
403	17476000005645	Softener	1
404	12176000009490	Power Cord Clasper	1
407	12176000009726	Foot	3
408	12976000000399	Door Rope	2
411	12976000000134	Door Spring Assembly	2
412	12976000001001	Adjust Screw Of Door Spring	2
413	12176000003011	Base Tray	1
414	12176000003088	Base Cover	1
415	12676000000138	Drain Hose Assembly	1
416	17476000005724	Airbreather	1
417	12676000000713	Air Breather Seal	1
418	12176000013663	Air Breaker Nut	1
419	17476000001222	Pressure Switch	1
420	12276000008925	Pump Support Assembly	1
421	12676000000140	Inlet Hose Of Air Breather	1



BID1061 Parts List

423	17476000001144	Inlet Valve	1
424	17476000001137	Overflow Switch	1
426	12176000003125	Overflow Switch Seat	1
427	12876000000050	Sleeve Cover	1
428	17176000012708	Main Pcb	1
429	12176000003751	Pcb Seat	1
430	12176000003853	Pcb Box	1
433	12676000001801	Softener Seal	1
434	12176000009513	Softener Nut	1
501	12176000009472	Inner Pipe	1
510	12176000009195	Lower Sprayer Assembly	1
511	12176000008645	Sprayer Seat	1
513	12176000003700	Plane Filter	1
601	12676000001461	Sump Seal	1
604	12176000009640	Filter Handle	1
605	12976000000327	396 Clamp	2
606	12176000003676	Cylinder Filter	1
607	12676000000146	Washing Pump Outlet Pipe	1
610	11001011000449	Permanent Magnet Synchronous Pump	1
611	12176000016228	Sumpassembly	1
612	12676000000651	Pvc Pipe	1
613	12676000000169	Softener Outlet Pipe	1
614	17476000001561	Induction Pump Assembly	1
618	17476000001408	Heating Elements	1
624	12676000000100	Washing Pump Inlet Pipe	1
625	12976000000308	Clamp	2
628	12676000000954	Inner Drain Pipe	1
629	17176000012008	Thermostat	1
701	12176000002875	Cutlery Assembly	1
702	12976000001529	Upper Basket	1
703	12976000001369	Lower Basket Assembly	1
704	12176000009231	Spray Arm	1
705	12176000013316	Cup Rack	2
710	12676000000561	Inlet Hose Assembly	1
711	12176000010312	Salt Filler	1
712	17476000000812	Wiring Harness	1
713	12276000007147	Handle Veneer	1
720	12976000000288	Accessory Bag	1

