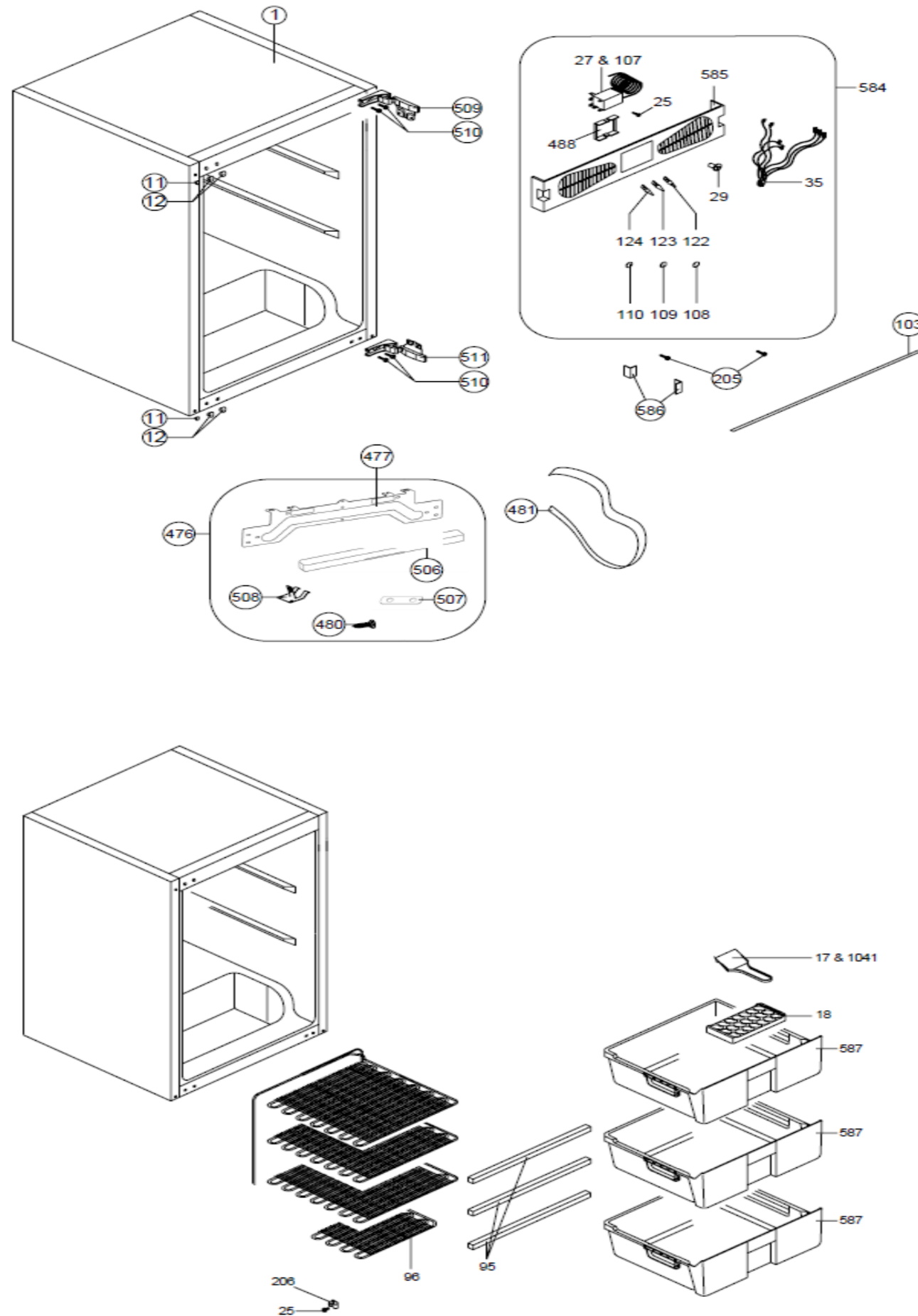


Pos. Numbers	Component	Description
8	35005015	SCREW ST 4.2*13 YSB-C
11	42032779	MIDDLE HINGE SREW CAP(SMALL)NEW(S.W.)
12	42032778	MIDDLE HINGE SREW CAP(BIG)S.W.(NEW)
17	42133750	ICE SCRAPER NEW
18	42125774	ICE TRAY COMMON
25	35003482	SCREW 40*13 YSB-R-C-INOX
32	35000744	SCREW KA 40*18 YSB-C-INOX
82	32017016	FAN MOTOR/1650(1W)
95	42038294	DOND.EVAP PRF/1650(INJ)KAR BYZ
96	37013022	F EVAPORATOR ASSY/1650ANK-PAINTED
121	42033580	THERMO CAPI BRACKET/360(NEW)2,80(S.W)
155	20756634	DOOR ASSY/1650 ANK DOD-CAP(S.W.)
206	42009471	CABLE HOLDER(AVANTÄ°)WHITE - N-6B
207	42155463	RUBBER CONDANSER MUTUAL ANTIVIBRASYON
210	30012302	POWER CORD(2.1m-ENG)
211	32027281	OVER L.GR.LR58CY/B35-105/QPE2-C/NEW
212	32010691	CAPACITOR 2,5UF/400V P2-TIRNAK(6,3*0,8)
215	37021264	DRYER(XH9,0.40MM,7.5GR)SINGLE
216	20020023	COMP FIXING BRACKET
217	32027282	COMP.LR58CY/2,5MF/B35-105/QPE2-C/DONP
225	35002664	SERVICE TUBE(105*6*0,7)TYPE B
409	42027265	PROPELLER/391(FRZ.FAN MOTOR)
460	42041558	GASKET/1700 ANK(S.W.)ILPEA
476	42125835	DOD ASSM. KITI/60 CM ANK.
477	37011132	TOP-HINGE REINFORCEMENT/1700
480	37001045	SCREW KA 40*17 OZEL1-C
481	42040731	SIDE COVER SEALING/1700 ANK(S.W.)
496	37011076	MAIN CONDANSER/BGN1700
506	42038292	DOD HANG COVER/1700 ANK(S.W.)
508	37002541	DOD- DOOR BOTTOM FIXING/1400 ANK
509	37002351	TOP HINGE DOD/1400 ANK(HETTICH)
510	37003078	SCREW M5*14 YHB-F
511	37002350	BOTTOM/HINGE DOD/1400 ANK(HETTICH)
537	37001235	SCREW GR/ ANK-DOD
575	42118751	FAN MOTOR SEAL/391(RV1)
586	42038301	GRILL COVER/1700(S.W.)
587	42121840	BASKET/1650(TRANSPAR-WH GRAY)RV1
588	42078385	PLASTIC BASEMENT GR/1700 (S.W.)RV1
589	42038582	PLASTIC BASEMENT/1700 (S.W.)
590	37011135	COMP ASSY BRACKET/1700
591	42082131	ADJUSTABLE FOOT/1700 (S.W.)
592	37012000	SCREW 40*26.5 YSB-R-C
593	32017131	***FAN MOTOR GR/1650(1W)
594	42073722	MOTOR FAN BOX FRONT/1650(1W)
595	42073724	MOTOR FAN BOX BACK/1650(1W)
598	32017831	WIRING HARNESS/FAN MOTOR/1700/MATE LOCK
599	32023754	COMPRESSOR CABLE (W/O S.FREEZ)
600	37002542	SCREW M5*14 YSB-F
P101	50007464	PACKAGE STRIP(0,8MM*11,5MM)
	20844201	COMPRESSOR GR/1650 (LR58CY) UK



- 22018901 ENERGY LABEL/1650-BELLING(BUFZ93)
- 22018902 PACK. LABEL/1650-BELLING/ING(BUFZ93)
- 22018903 NAME PLATE/1650-BELLING/ING(BUFZ93)
- 40004104 BUTYL RUBBER(120\*60\*2MM)
- 42165247 BASKET/1650(TRANSPAR-WH GRAY)RV1SRGF
- 47014014 TAPE PET(48MM\*R)TRANS BN31
- 50015527 CUT PAD-FRONT(742\*152\*25)140V
- 52012696 CUT PAD(600\*142\*12)
- 52012721 CUT PAD(600\*142\*25)
- 52019531 PAD UPPER/1700 ANK
- 52019533 PAD LOWER GR/1700 ANK (CARTON)
- 52019534 PAD LOWER/1700 ANK
- 52019538 PACKAGE CARTON//1700 ANK
- 52025620 AMB.DESTEK STRAFORU/1700
- 52126813 CABINET BULB STICKER
- 52137968 BARCODE LABEL/NON PERM (PP-60x35mm)
- 52141377 PACKAGE BAG(1200\*1020\*0,02)110-140
- 52189290 PAC.SUP.EPS (155\*45\*30)
- 52216528 USER'S MANUEL/1650-BELLING(BUFZ93)
- 52216766 PRODUCT FICHE/1650(A+)10706128
- 52224222 WARRANTY LABEL/BELLING (IRLANDA)

