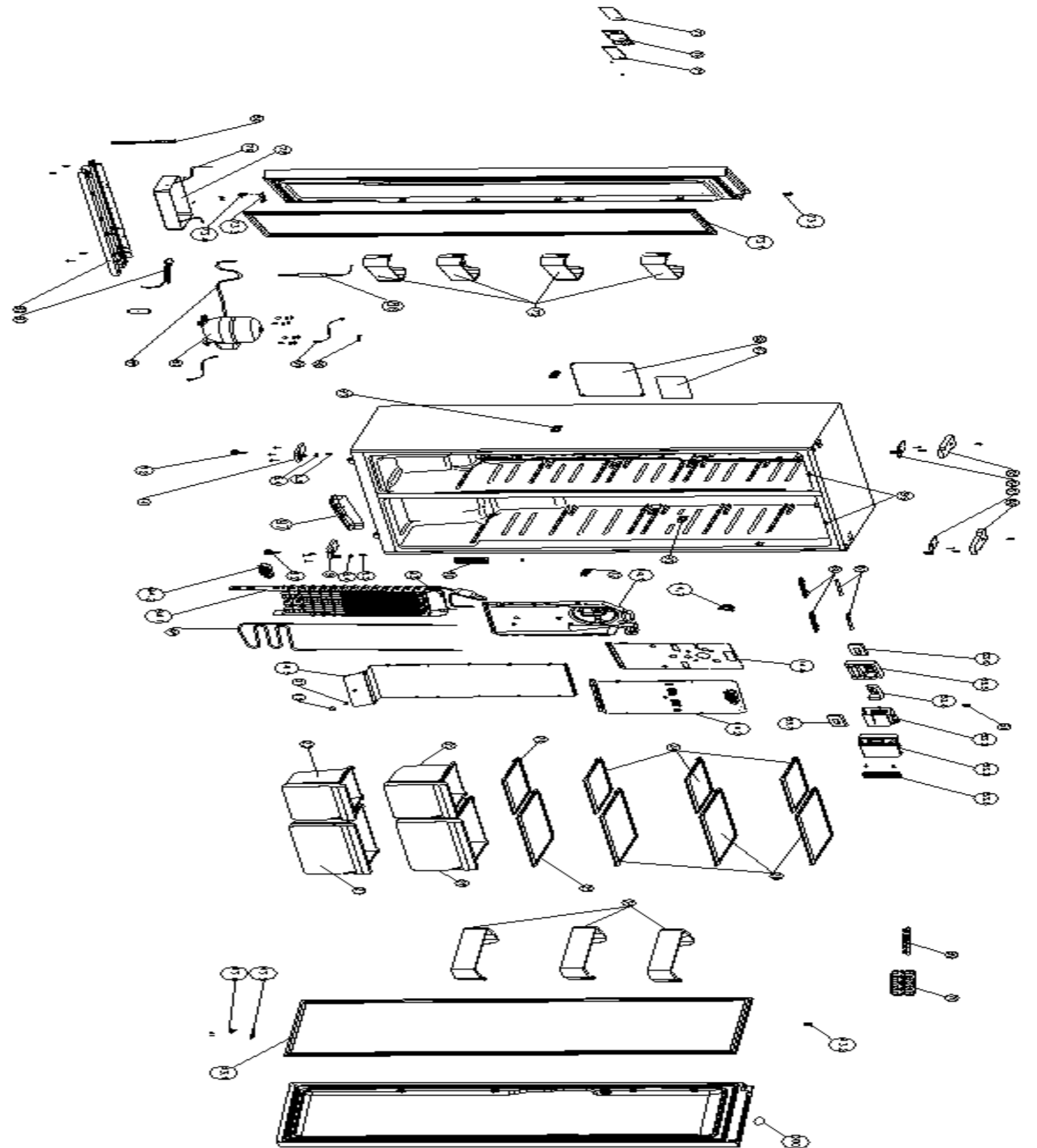


| No.  | Part Code   | Description of Spare Part                          | Qty |
|------|-------------|--|-----|
| 4    | 2301400038  | Lower door hinge assembly,left                     | 1   |
| 5.2  | 2107150009  | Adjustable foot assembly                           | 1   |
| 5.3  | 3060100074  | Screw of M6X16                                     | 1   |
| 5.4  | 2208510016  | Block of aid-closer,lower                          | 1   |
| 8.2  | 2107150009  | Adjustable foot assembly                           | 1   |
| 8.3  | 3060100074  | Screw of M6X16                                     | 1   |
| 8.4  | 2208510016  | Block of aid-closer,lower                          | 1   |
| 9    | 2301400037  | Lower door hinge assembly,right                    | 1   |
| 10   | 20122990488 | Cover of return air inlet                          | 1   |
| 12   | 20122990629 | Cover of temperature head                          | 2   |
| 13   | 20122990493 | Screw cap  | 2   |
| 14.1 | 2208500047  | Fan motor bracket                                  | 1   |
| 14.2 | 2208500046  | Front cover of freezer wind tunnel parts,upper     | 1   |
| 14.3 | 2208500057  | Front cover of freezer wind tunnel parts,lower     | 1   |
| 14.4 | 2800100049  | Sponge of freezer wind tunnel parts cover          | 1   |
| 14.7 | 3059900040  | Fan motor assembly                                 | 1   |
| 21   | 2106120193  | Cover of upper drawer,left                         | 1   |
| 22   | 2207300185  | Upper drawer                                       | 1   |
| 23   | 2207300186  | Lower drawer                                       | 1   |
| 24   | 2106100166  | Shelf of freezer chamber                           | 3   |
| 25   | 2106120192  | Cover of upper drawer,right                        | 1   |
| 26   | 2207400176  | Crisper drawer assembly,upper                      | 1   |
| 27   | 2207400177  | Crisper drawer assembly,lower                      | 1   |
| 28   | 2106100165  | Shelf of refrigerator chamber                      | 3   |
| 34   | 2207500435  | Door rack of refrigerator                          | 3   |
| 43   | 2100250308  | Door,right   | 1   |
| 43.1 | 3020400232  | Door gasket,right                                  | 1   |
| 43.2 | 2208100018  | Collar,upper                                       | 1   |
| 43.3 | 3039900184  | Limit line iron                                    | 1   |
| 43.4 | 2208510015  | Block of aid-closer,upper                          | 1   |
| 53.1 | 2208100433  | Decorative plate of refrigerator wind tunnel parts | 1   |
| 53.2 | 2208500045  | Front cover of refrigerator wind tunnel parts      | 1   |
| 53.3 | 2701000188  | Refrigerator wind foam parts,front                 | 1   |
| 53.4 | 2501100018  | Damper motor of refrigerator wind                  | 1   |
| 53.5 | 2701000189  | Refrigerator wind foam parts,back                  | 1   |
| 53.6 | 2800100048  | Sponge of air inlet                                | 1   |
| 53.7 | 2800100047  | Sponge of air outlet                               | 1   |
| 59   | 20122990482 | Cover plate of fixed seat                          | 1   |
| 60   | 20122010104 | Cover of ceiling light                             | 2   |
| 61   | 3050400018  | LED light board                                    | 2   |
| 62   | 2208100432  | Cover of right hinge,upper                         | 1   |
| 63   | 3031400215  | Upper door hinge assembly,right                    | 1   |
| 64   | 3031400214  | Upper door hinge assembly,left                     | 1   |
| 65   | 2208100431  | Cover of left hinge,upper                          | 1   |
| 67   | 2500300107  | Control board                                      | 1   |
| 68   | 3039900180  | Cover of control board                             | 1   |
| 69   | 20122990103 | Ice cube tray                                      | 1   |
| 70   | 20122990140 | Egg tray   | 1   |
| 72   | 2207500436  | Door rack,left                                     | 4   |
| 73   | 2100250309  | Door,left  | 1   |
| 73.1 | 3020400231  | Door gasket,left                                   | 1   |
| 73.2 | 2208100018  | Collar,upper                                       | 1   |
| 73.3 | 3039900184  | Limit line iron                                    | 1   |
| 73.4 | 2208510015  | Block of aid-closer,upper                          | 1   |
| 75   | 2500300060  | Display electric board                             | 1   |



To order Spare Parts, please contact us at 01 8428222, or email at sparesireland@glendimplex.com

**EURSBS427SS Parts List**

Spare Parts are stored in our Ireland warehouse, and are shipped with 48 hour courier

|      |             |                             |   |
|------|-------------|-----------------------------|---|
| 76   | 2208100106  | Display plastic board       | 1 |
| 77   | 2209100056  | Display panel               | 1 |
| 78   | 2207700087  | Drain pan                   | 1 |
| 79   | 2402400019  | Evaporative condenser       | 1 |
| 80   | 3020600065  | Drain pipe                  | 1 |
| 82   | 2107100005  | Compressor base support     | 1 |
| 83   | 3050100096  | Power supply cord plug      | 1 |
| 85   | 20114070006 | Connecting tube             | 1 |
| 86   | 3040500022  | Drier filter                | 1 |
| 87   | 2400100107  | Compressor                  | 1 |
| 91   | 3050200094  | Earthing wire of compressor | 1 |
| 92   | 3040600005  | Process tube                | 1 |
| 93   | 3050200155  | Temperature sensor          | 1 |
| 94.1 | 3040300056  | Fin evaporator              | 1 |
| 94.2 | 3071000186  | Foam of fin evaporator      | 2 |
| 95   | 3050700013  | Frost heater & fuse         | 1 |
| 97   | 3039900181  | Fixed slot of heater        | 1 |
| 99   | 2501100017  | Door switch                 | 2 |
| 300  | 2700500595  | Trademark                   | 1 |
| 301  | 2700104771  | Carton                      | 1 |