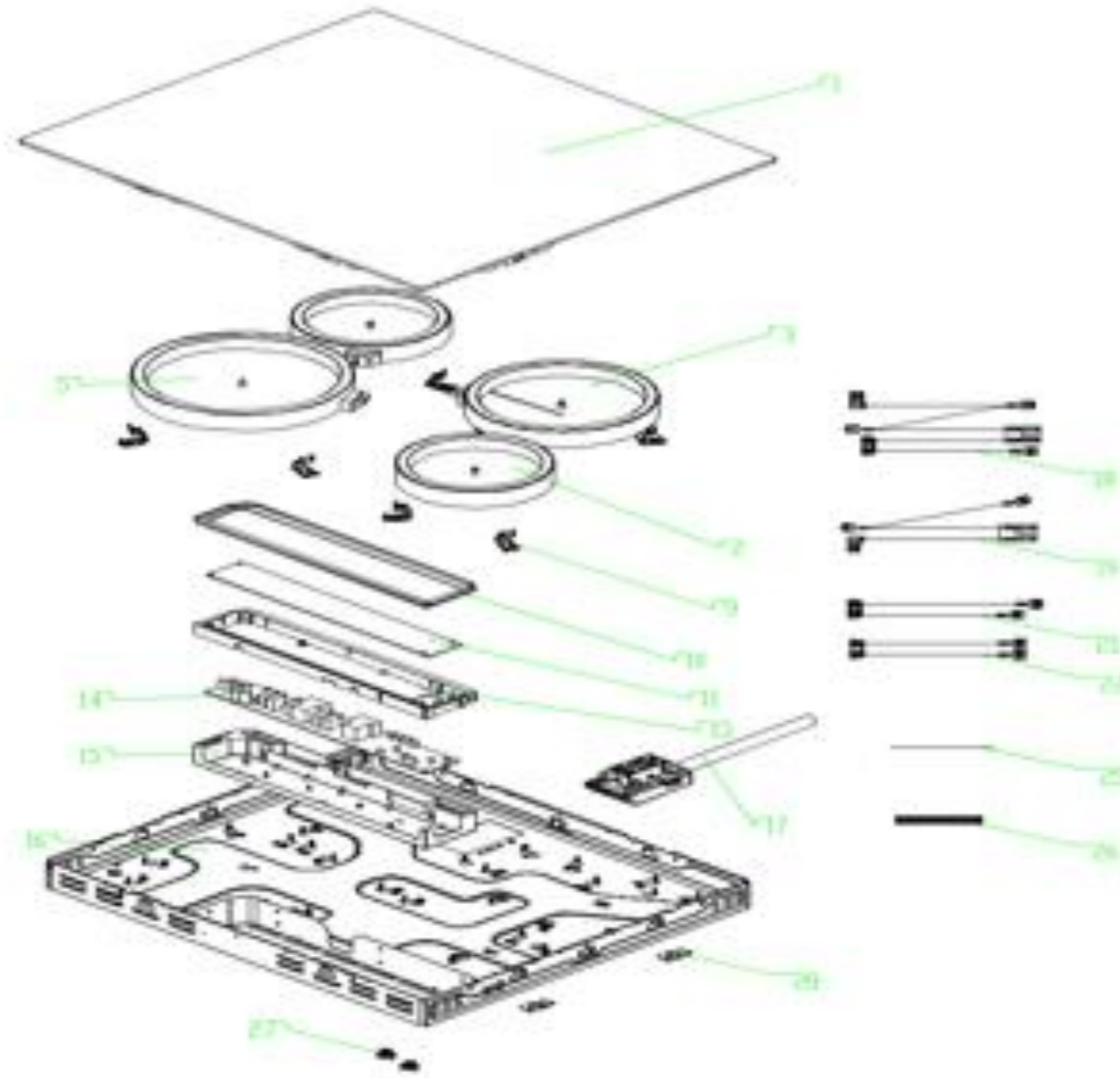


No.	Material Code	Description	Qty
1	12966000A16495	Glass Hotplate	1
2	17402003005497	Radiation Heating Tray	2
3	17402003005499	Radiation Heating Tray	1
5	17402003005500	Radiation Heating Tray	1
9	12266100000597	Spring Support	12
10	12666100000344	Silicone Sealing Strip	1
11	17166100002358	Display Panel	1
12	12666000000001	Light Guide Cover	3
13	12166100000770	Fixing Box	1
14	17166100002289	Power Supply Board	1
15	12166100000768	Fixing Box	1
16	12266100000797	Bottom Plate Assembly	1
17	17400401006656	Terminal block	1
18	17401203026924	Multiple branch lines	1
19	17401203026927	Multiple branch lines	1
21	17401203026923	Multiple branch lines	1
22	17401203026925	Multiple branch lines	1
25	17466000000169	Wire Harness	2
26	17166000009202	Butting Connector	1
27	12166100000769	Pillar	2
28	12966000000010	Hanging Plate Fitting	1





22407049	NAME PLATE/2795 BELLING-
52224222	WARRANTY LABEL/BELLING
52229360	UPPER PAD/1400/NEW
52256963	CORNER SYTROFOAM 2451/N1
52378913	LED REGULATION TRANSITION
52398166	PACK.STRIP(0,6MM*12MM)-RCYC
52406957	BACK CORNER STR/2451
52434327	C/PENTANE LABEL
52445493	PACKAGE CARTON/3200 ANK . RV3
52455337	B/EPS/GR/1400/REINFORCED/PP
52264440	B/EPS/1400/REINFORCED
52475261	BUILT-IN SS ASSEMBLY INSTR/2791-
52492844	USER'S MANUEL/2795
52492845	CUSTOMER LABEL-NEW
52501910	CUSTOMER LABEL-NEW